



Q S X P E



**THIS NEWSLETTER IS PUBLISHED BY THE
PORT ELIZABETH AMATEUR RADIO SOCIETY**

WEBSITE: www.qs1.net/zs2pe

**PO BOX 10402
LINTON GRANGE
6015**

SEPTEMBER 2005

PEARS' MONTHLY MEETING

The monthly general meeting of the PORT ELIZABETH AMATEUR RADIO SOCIETY will be held on **Thursday, 15 September 2005** at the St Hugh's Church Hall, Newton Park, starting at 20:00 (8 pm).

Al Akers will discuss a versatile transmatch (to which reference was made at the last meeting) and thereafter there will be opportunities for any questions to be answered.

Tea, coffee and biscuits will be provided by Bill ZS2ABZ in return for a couple of shiny contributions in the jar provided for that purpose.

Wrinkly Ravers

Seventeen members attended the October Rave. Looks like things are getting better and better. Mel and Beavan were there, as well as Judy and Ken Tremeer and Maureen and Neil Fulton.

I forgot to do so around the table but after the event I asked how some of the participants felt about holding a Rave at Jeffrey's Bay, most probably in November. Everyone I spoke to were for it, but we'll talk about it at the next get-together. We may hold this on a Saturday or Sunday to enable *Smoothies* to come along too.

The CQD Medal

The CQD medal bears, on the obverse, an engraving of the SS Republic, with the initials CQD at the top. On the reverse, the words FOR GALLANTRY appear across the middle with a verbose inscription around the circumference, following in eight lines across the field.

The medal takes its curious name from the CQD signal (All Stations Distress) sent out by the stricken White Star steamship Republic after it collided with the Italian steamer Florida on January 21, 1909. The liner Baltic responded to the call.

The Republic was the more severely-damaged vessel, but all of her passengers and crew were transferred, first to the Florida and then to the Baltic, before she sank.

The saloon passengers of the Baltic and Republic subscribed to a fund to provide medals to the crews of all three ships in saving more than 1700 lives.

The CQD radio signal was sent out by the

Marconi operator Jack Binns aboard the Republic. Binns became a hero when the survivors reached New York and was given a welcome parade.

This was the first time that radio was used to effect a rescue at sea and indirectly sealed the fate of the Titanic three years later, as the White Star Line wrongly assumed that any larger liner would take several hours to sink, and radio would obtain help quickly within well-used shipping lanes. Lifeboats would only be required to effect the transfer of passengers and crew. As a result, the number of lifeboats on the Titanic was severely reduced.

Incidentally, Jack Binns was offered the post of wireless officer on board the new Titanic but declined!



Question: When was CQD replaced by SOS?

Another question: Since morse is no longer used for communications, is it still illegal to transmit "SOS" over the air? 📻



Last month I spoke about working DX to improve operating skills. This can also be achieved by operating in contests. How well you fare will depend a lot on how quickly and efficiently you operate. No doubt you will not do too well initially, but see how much you improve in the next contest.

Do not be discouraged by a poor performance. Persevere. Shakespeare's reputed to have said, "It is better to have loved and lost than never to have loved at all." This applies to contesting as well.

We all make mistakes, often without realizing it. Record your operating, then listen to it critically to see where you go wrong, or ask a friend to check your operating for you.

Learn to speak slowly and clearly. Speaking fast does not necessarily mean faster communication because you are likely to have to repeat yourself, which takes longer.

Often enough I hear people mumbling, especially their callsigns. Sometimes, even after hearing the callsign given several times, I am still unable to determine who is speaking.

Give numbers in the order that they will be written down. For example, three, two, two, five, seven, one two – and *not* three, double two, fiftyseven, twelve.

So go for the contests and have fun, and afterwards enjoy the satisfaction of improved operating skills.

73

Al, ZS2U

Operating

Under Al's Ad-libs I have mentioned Dxing and contests to improve operating skills. This is not only good for normal operating, but is vital for successful emergency operations.

Do not wait for an emergency or major disaster operation to discover that your operating skills leave something to be desired. Do something about it now.

Four Metre Operation

I have completed my four metre beam and details of this will appear elsewhere in this issue of QSX. John ZS2J at Bathurst and I have previously had no luck making contact on four metres with vertical antennas, but John, with a four element beam and I with my

three element beam have comfortable copy now.

I will be giving a talk on parasitic beams, followed by discussion on Monday evening, 19th September at 20h30 on the linked repeater system

Input from Members

I invite members to contact me with regard to any questions or suggestions they may have about emergency operations.

73

Al Akers, ZS2U
Provincial Director:
Hamnet/ECARES

TRANSCEIVER TESTS

Applicants for an amateur licence or for upgrade from a restricted (ZR) licence to a full (ZS) licence will need to pass a test on setting up and operating a transceiver.

One such test has already been conducted and another is being planned for the near future, most likely on a Saturday afternoon.

Listen to the PEARS bulletins for the date to be announced. Meanwhile, make sure you are familiar with the procedures.

We don't want you to fail because it means that we will have to test you again!

FOR \$ALE ★ WANTED ★ SWOP

FOR SALE/SWOP

* Hy-Gain motorised 2 metre car antenna, never used. Contact Vic Plumridge at vicplum@xsinet.co.za or 046 648 1928

* 20-amp power supply – R650 negotiable; Kenwood TM733 two-metre and 70 cm transceiver, repeater facility – R3200 negotiable — Tel. Johan van Zyl ZS2Z at Indwe, tel. 045 952 9051 or 084 500 9051.

WANTED

* I require a QRN basher similar to the ZS2PP model — Vic Plumridge at vicplum@xsinet.co.za or 046 648 1928.

LIGHTHOUSES on the AIR

Thanks to Ewalt Bouwer, ZS2EHB, a group of local hams got together and erected a special station at the Cape Recife lighthouse over the weekend of 20-21 August.

Together with Bill ZS2ABZ and Martin, ZR2MR, they managed to get hold of something around 20 stations. One of the important ones was the Isle of Man Lighthouse, which Bill managed to work – *on CW!!*

We also heard Lynne Crothall ZS2MM operating from the station but the weather was not very kind and very few locals went to the lighthouse. Elize and I also attended but in total there were only a handful visiting the station throughout the weekend.

Better luck with the weather next time.

FIRST FOUR–METRE CALL in EAST CAPE

On 11 August John Hugo, ZS2J, turned his beam towards PE and gave a call, and was heard by Al Akers ZS2U. Al went back to John and they enjoyed their first long-distance four-metre QSO. It seems that horizontal beams are better than two vertical antennas!

Congrats to you two.

RAE CLASSES are ON

Last month we said that if there are fewer than about six candidates for the next RAE exam we would not worry to offer classes. Paul Galpin ZR6ACV has decided he would offer the classes even if there are only two! If he needs help he will contact those who can assist from time to time.

Robot Man!

In this day and age of high tech you never know, when you meet someone, whether he or she is a robot or not. Look for the following signs:

- *He has a cast iron constitution and a bronzed skin,*
- *He is bold as brass and, when he shakes hands, he has a vice-like grip,*
- *He has iron lungs and some have no heart, others have hearts of gold,*
- *They have i.c. eyes, which sometimes have a steely glint,*
- *Some have a chrome dome.*

If you have noticed people giving you strange looks, Viv, now you know why! *But this story was given to me by Al Akers ZS2U!! Hammer him, not me! – Ed.]*

A BIT OF WISDOM (?)

- * I started out with nothing, and I still have most of it.
- * If the shoe fits, get another one just like it.
- * It is said that if you line up all the cars in the world end to end, someone would be stupid enough to try and pass them.
- * Nothing is foolproof to a sufficiently talented fool.
- * Honk if you love peace and quiet.
- * He's not dead, he's electroencephalographically challenged.
- * Light travels faster than sound. That's why some people appear bright until you hear them speak.

English is Official Language of EU

The European Commission has just announced an agreement whereby English will be the official language of the European Union rather than German, which was the other possibility.

As part of the negotiations, the British Government conceded that English spelling had some room for improvement and has accepted a 5- year phase-in plan that would become known as "Euro-English".

In the first year, "s" will replace the soft "c". Certainly, this will make the sivil servants jump with joy.

The hard "c" will be dropped in favour of "k". This should klear up konfusion, and keyboards kan have one less letter.

There will be growing publik enthusiasm in the sekond year when the troublesome "ph" will be replaced with "f". This will make words like fotograf 20% shorter.

In the 3rd year, publik akseptanse of the

new spelling kan be expekted to reach the stage where more komplikated changes are possible.

Governments will enkourage the removal of double letters which have always ben a deterrent to akurate speling.

Also, al wil agre that the horibl mes of the silent "e" in the languag is disgrasful and it should go away.

By the 4th yer people wil be reseptiv to steps such as replasing "th" with "z" and "w" with "v".

During ze fifz yer, ze unesesary "o" kan be dropd from vords kontaining "ou" and after ziz fifz yer, ve vil hav a reil sensibl riten styl.

Zer vil be no mor trubl or difikultis and evrivun vil find it ezi tu understand ech oza. Ze drem of a united Urop vil finali kum tru.

Und after ze fifz yer, ve vil al be speking German like zey vonted in ze first plas. ☺

HAM RADIO OUTLET – SOUTH AFRICA

... WHERE RADIO IS A PASSION

ck:2005/097206/23

Tel: 041 372 2255
Mobile: 082 852 4885
e-mail: hro-sa@absamail.co.za

130 Devon Road
Sherwood, Port Elizabeth
6025
Republic of South Africa

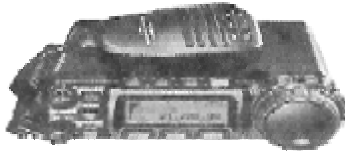
Proud suppliers of Yaesu Amateur Radio Equipment. Also HyGain Antennas and Logie Towers.

Grey doesn't Pay. All equipment backed by local repair service.

Phone Donovan, ZS2DL, and the shop comes to you.....

Best Prices Guaranteed

***Special* FT857D**



₺7866-00 incl of Vat



Member: Donovan van Loggerenberg

Bugs at War

by Mike Hanslow, ZS1RMS

Telegraph operators who used a key for long periods of time developed a debilitating problem, which they called "glass arm" or the "telegrapher's paralysis" (Carpal Tunnel Syndrome). Bunnell would invent his double speed "sideswiper" in the 1880's.

Unlike the straight keys, this key is worked by alternating side-to-side movements. Since the left and right contacts are electrically connected, dots or dashes may be made in either direction.

The semiautomatic mechanical "Vibroplex" was invented by Horace Martin in 1904. This key would not need a separate battery for operation but use the vibrating pendulum to automatically generate the dots.

Though the "Bug" has become synonymous with Vibroplex, it was actually a derogatory term for a poor

telegrapher. Poor operators, using semi-automatic keys could now send at higher speeds, earn higher wages with little experience. The result was poor sending and the keys themselves became known as "bugs".

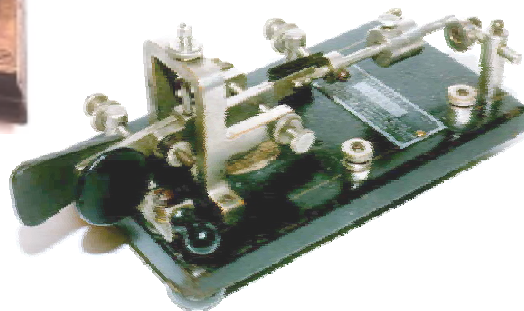
In the 1920's, Bunnell introduced a semiautomatic key called the "Gold Bug", which was, quite frankly, a lousy bug. Vibroplex filed a lawsuit, claiming that it held a legal Trade Mark awarding it exclusive rights to call its machine a "bug". To outsiders, the suit must have appeared to be a war among the two biggest telegraph key maker giants.

The judge decided that the word "*bug*" was a term in common use and therefore could not alone be used as a trademark. This was a victory for J.H. Bunnell & Co and Vibroplex's lawsuit was dismissed. 📌

Bunnell's Gold Bug



Early Vibroplex with T damper



Information sourced from
<http://www.la.ca.us/frandy/>
<http://www.zianet.com/sparks/index.html>
<http://www.vibroplex.com>

THREE-ELEMENT FOUR-METRE BEAM

from Al Akers, ZS2U

The design frequency for this antenna is 70,200 MHz. The gain is about 7 dB. The elements are made from 9mm diameter aluminium tubing, as also the gamma section.

The elements are spaced 0,2 wavelengths apart. The boom is 32mm diameter wood.

Dimensions are as shown in Figs 1 and 2.

The boom could be aluminium with a diameter of 25 mm or larger, but this would affect the parasitic element length, unless they were mounted at least a boom diameter away from the boom.


The table below shows three sets of lengths for the parasitic elements. **A** is for an insulated boom such as wood, **B** is for elements mounted through a metal boom and making contact with

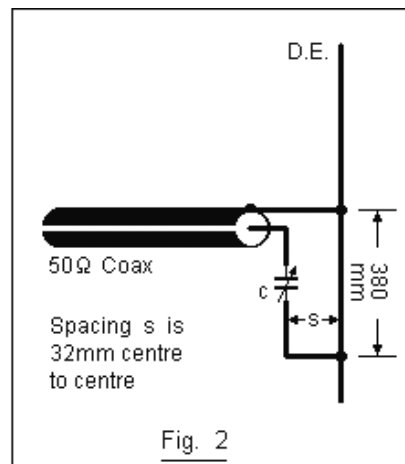
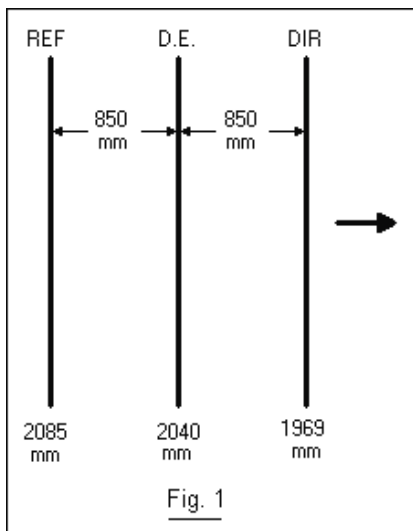
the boom.

Ensure that this is a good contact and seal from the weather with a sealant such as silicone rubber. Better still is to have the elements welded to the boom.

C is for elements mounted through the metal boom, but insulated from it.

These figures are for a 25mm diameter metal boom.

I intend giving a short talk on beams, followed by a question and answer session at 2030 on Monday evening, 19 September on the linked repeater system. 



	REFLECTOR	DIRECTOR
A	2085 mm	1969 mm
B	2098 mm	1982 mm
C	2092 mm	1975 mm

TABLE

BARGRAPH DISPLAY

ETI Circuits No. 1

A bargraph display is a useful medium for seeing a monitored variable. Where low resolution (5 to 10 segments) is sufficient the display can be built with LEDs and a few transistors.


With the 5 segment system shown, transistors Q1 to Q5 saturate successively as the input signal increases from zero. The resulting currents drive LEDs D1 to D5. As each transistor turns on, its emitter current flows through R10. Transistors Q6 and Q7 as well as CR1 and associated resistors, comprise a feedback amplifier that forces the voltage across R10 to equal the input's voltage. This causes the display to 'deflect' linearly.

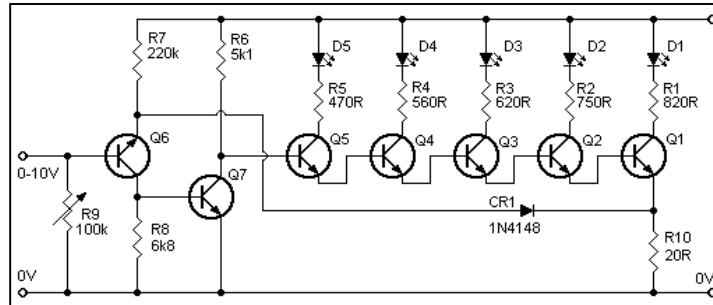
For R10 = 20R and a current of 10mA per LED, the resolution is 200mV and the full

scale input equals 1V (for five LEDs). Diode CR1 cancels the V_{BE} offset of Q6. Resistors R1 through R5 control the LED currents.

The voltage across R3 for example is 10V minus 1,5V (two transistors' V_{BE} 's) minus 0,6V (30mA - R10). Since V_{CE} (SAT) of Q3 is negligible at 10mA, 6,4V must be dropped, i.e.

$$R3 = \frac{6,4V}{,010A} = 640R, \quad 620R \text{ being the nearest}$$

standard value. 



ALLBRIGHT GARDEN SOLUTIONS

— Allen Pike —

Tel. 041 360 3927

Cell. 082 443 0805

Lawn Treatment
 Garden Layout
 Pruning Trees & Shrubs
 Recomposting Flower Beds
 Yard Spring-cleaning
 Plot Clearing
 Debris removal
 Limited tree felling
 Limited External Painting


BILL BROWNE NOT VISITING PE AFTER ALL

From Bill Browne ZS5BY: Just a note to tell you that ICASA have at last allocated me with a ZS5 callsign and I am now ZS5BY. Not much different from 2BY hi.

I will miss you blokes at the wrinkly ravers in September. I intended to travel to P.E. for a short visit, but have now called it off.

I erected a dipole antenna on the roof of this complex. There is a wooden railing all round the place, about 800mm high. I have installed a dipole under the front edge of the balustrade fed with coax direct to my flat. It cannot be seen from the inside of the roof and is virtually invisible from the ground.

The interesting thing about this antenna is that the proximity of the wood has made me shorten it to obtain resonance and instead of being just over 20 metres long it is closer to 18 metres. Anyway my SWR is OK at 1.5 to 1.

Greetings to all — Bill ZS5BY. 

**MINUTES OF THE MONTHLY MEETING OF THE
PORT ELIZABETH AMATEUR RADIO SOCIETY**

Held at the St Hugh's Church Hall, Newton Park, Port Elizabeth on 18 August 2005

Welcome:

The Chairman welcomed everyone to the meeting.

Present and Apologies :

As noted in the attendance register.

Acceptance of Previous Meetings Minutes :

Proposed : ZR2VDL Seconded : ZR6ACV.

Matters Arising:

Nil

Correspondence:

In: Various Club Newsletters and subscription renewals.

Out: Nil.


Finance:

The Treasurer reported on the Society's financial position, which was accepted by the meeting.

General:

- a) The meeting wished Al ZS2U best wishes for his birthday.
- b) Only 2 or 3 possible candidates will be studying for the November RAE.
- c) The meeting extended its thanks to Peter ZS2PL for his generous donation of a caravan for Club use. Some members would travel to Peter's QTH to inspect the van.
- d) Al ZS2U will visit the University to make arrangements for a Club visit to their physics dept.
- e) So far 6 ZR members have been upgraded to ZS after successful assessment.
- f) Ewalt ZS2EHB indicated that he had arranged with the authorities for access to the Cape Receife lighthouse so that the Club can set up a special event station for the Lighthouse weekend of 20 -21 August. An after the event braai has been organised on the Sunday afternoon and all are invited. Free access to the Cape Receife nature reserve has been arranged for all members.
- g) There does not seem to be any interest by the local scouting movement for this year's Jota special event. As such the Club will not be setting up a special event station.

The business of the meeting was concluded at 20h30, and tea and refreshments supplied by Al were enjoyed by all.

After the break Al ZS2U and Viv ZS2VM gave brief talks on simple yet very useful electronic gadgets that can be built for use in the ham shack. 

Pearstalk



(Some of these items are from SARL bulletins, ZS4BS Dennis Green's HF Newsletter, etc.)

VISIT TO UPE PHYSICS DEPARTMENT

Al Akers has arranged for us to visit the UPE physics department on Wednesday, 21 September. Those interested in seeing what the department does must please be outside the front gate of the university not later than 18h00.

At 18h00 we will be shown where to go. We will see the work that is being done on solar cell research and there will also be an opportunity to look through the electron microscope etc.

UPE Involved in PV Panels Research

The UPE has been involved with the University of Pretoria and the Rand Afrikaans University in a combined project of close to R20 million to address the urgent need for environmentally neutral, renewable energy sources.

The Department of Science and Technology awarded R13,2 million and a further R3,5 million was added by RAE management. This money has been used to construct a state-of-the-art pilot production facility for CIGS photo-voltaic (PV) panels on the RAE campus.

The need for the energy sources was accentuated by the accelerated climate change and oil-based global conflict. Intensive research by physicists at RAE has produced a practical answer to this need.

Prof. Alberts and his group have developed an industrial method for producing copper-indium (gallium)-

diselenide (CIGS) solar panels at very low cost.

The roots of the collaboration can be traced back to UPE years ago. Prof. Vivian Alberts, overall leader of the project and Head of the Physics Department at RAE, completed all his university studies at UPE. The University of Pretoria physicists, Prof. Danie Auret, was himself a member at the Physics Department at UPE.

The initial projections show that CIGS panels could supply electricity at a production cost of 50c per kW-h or less.

The severity of the impact that climate change will have on South Africa highlights how timely the development of low-cost solar energy is. With an expected target of 10,000 GW-h of annual electricity by the year 2012, meeting this need with solar PV energy will require the production of panels with a total peak output of 750 MW every year from 2006 onwards.

A national solar PV industry, based on a number of factories, will enable rural, underdeveloped communities instant access to electricity. It will also provide job-creation opportunities and a source of foreign exchange.

OUTING TO THE ISLAND

A day out at The Island forest reserve has been arranged for 30 October. There will be more information in the October issue of QSX. Meanwhile, the place has been booked.

Al ZS2U, Ken Victor ZS2OC and

others will have their mobile stations in operation.

ICASA RULES ON CONDITIONS FOR ISSUING OF ZS LICENCES

ICASA made a ruling last week that all ZR licence holders who wish to upgrade to a ZS licence must comply with regulation B1 (3) which states that a class A1 unrestricted licence may be issued to a person who has furnished proof of his or her ability to correctly set up, adjust and operate an amateur HF transceiver. This is in addition to the other upgrade requirements.

The rule was interpreted as having applied from the May 2005 examination. ICASA has however ruled that this applies to *all* ZR licensees who wish to upgrade irrespective of when the examination was written.

This means that ZR Licence holders who have upgraded since the publication of the amended regulations on 4 February and who have not furnished proof of their ability to correctly set-up, adjust and operate an amateur HF transceiver, must go back to the Assessors and do so. The Assessors' evaluation document makes provision for this requirement.

ICASA insists on seeing all the documentation confirming that this rule has been complied with. It is important that this be complied with as soon as possible.

FAREWELL TO EWAN ZS1EM

Ewan Mathieson ZS1EM writes: How is the good old Eastern Cape?

Ali and I are hoping to be out of the country for a year or so. We are hoping to leave at the end of August 2005. We will be letting our house and at this stage we have no forwarding address.

Thanks for your help.

THREE AMATEURS RECEIVE AWARDS

At the SARL 80th anniversary breakfast the recipients of the Siemens Radio Amateur of the Year Awards and the Amateur Radio Community Service Award were presented.

The Siemens Radio Amateur of the Year Award was awarded to Richard Seddon, ZS2CLI, for his continuous work and new innovation on the SARL website. His recent innovations include discussion forums and a South African QSL facility which will assist ZR's with upgrades if they go the operating route and facilitate application for various SARL Awards.

The Junior Siemens Radio Amateur of the Year Award was presented to Edrich de Lange, ZR5TUX.

The Amateur Radio Community Service Award was presented to Alistair and Davina Campbell, ZS5MU and ZS5GC. Alistair started the Net on 26 October, 1979, in response to a request for weather information from an international yacht. He is supported by his wife Davina who alternatively handles the net.

Congratulations to the recipients. The awards are well deserved.

IARUMS: YOUR SUPPORT NEEDED

Hans van de Groenendaal, ZS6AKV, is the responsible SARL Councillor for IARUMS, the IARU Monitoring Service, and invites radio amateurs to join the SARL Divisional Advisor Programme.

The objective of the DA Programme is to establish a core of subject matter experts to provide a link between the SARL Council and amateurs in each division, who will provide input in their area of expertise.

The IARUMS is an important programme aimed at protecting the

amateur frequencies from unwanted intruders. The programme is very active in Europe but lacks monitoring input from the southern hemisphere and this is where the SARL and hams in South Africa need to play an active role.

Visit the SARL website and join the DA programme or send a mail to armi@sarl.org.za with your contact details.

RTA ATTENDANCE AND PRIZE DRAWS

The RTA open day at the NARC recently was attended by approximately 160 amateurs. The large number of western Transvaalers who arrived there with red shirts and two mini busses set a good example for attendance.

The last presentation of the day was done by our League's President Graham Hartlett and was about the 80 years of the existence of amateur radio in South Africa.

[Red shirts?? Mini busses?? Are you sure they were hams? – Ed.]

INTRODUCING THE SARL'S OWN ELECTRONIC QSL SERVICE

With the growing popularity of electronic QSO confirmation, the SARL has risen to the challenge of providing such a service to its members.

Why a Southern Africa only QSL service? Now that many hams use logging software such as Logger32 and the like, it is easier than ever to export QSOs into online e-QSL systems. The SARL system allows for all ADIF compliant logger programs as well as manual inputs and a quick reply option.

In South Africa contacts between fellow Southern African hams count towards SARL Awards such as the prestigious Worked All ZS Award as well

as for ZRs wishing to upgrade their licence by following the operating achievement upgrade path.

With this new electronic QSO confirmation system in place, raking in those QSLs should be a whole lot easier. Look out for the "You've got QSLs" Icon at the top of the SARL website next time you login.

SARL IARU FUND RECEIVES MORE DONATIONS

The SARL IARU Fund now stands at R20 601 After having paid the annual IARU fee, R11 153 is now available for the IARU delegates' fund

The SARL will be represented by three delegates at this important IARU region 1 conference. They are Graham Hartlett, ZS6GJH, Dennis Green, ZS4BS, and John Fielding, ZS6JF.

John will be in Europe on a family visit which means that the SARL will only have to meet his local expenses at the IARU conference. He is not a Councillor but will be assisting Council by attending the conference to present three SARL papers dealing with important VHF issues and to attend committee C5 meetings which deal with VHF, UHF and Microwave communication.

I'm not sure whether the R11 000 odd will be sufficient or whether an AGM of the League decided to allow Council to attend IARU meetings at SARL expense. Since there is always mention of the donations on hand, it seems that the AGM restriction of 2003 is still in force, and presumably the R11 000 will be sufficient for the three chaps to do their duty without coughing up personally. In the mean time, your donations will be appreciated. 🙏

Meegevoel: Aan Jeanette en Ewalt ZS2EHB en ander familieledede, ons innige meegevoel met die heengaan van Jeanette se moeder op 9 Augustus.

We were also sorry to learn of the passing of Rosemary, XYL of the late Colin Robertson, in East London on 25 August. Our sympathy goes to her children and other members of the family.

To those celebrating special days (18 Sep to 22 Oct) we hope you'll

Enjoy Your Day! 

... on your birthdays

September

22 André Mulder, ZS2AJ
26 Garth Laaks, ZS2HB
27 Norman Dowler, ZS2XF
27 Ewalt Bouwer, ZS2EHB
28 Glen Cummings, ZR2GV

October

6 Colin Ashwell, ZS2AO
6 Barry Griggs, XYL of Graham ZS2ABK
8 Vanessa Scarr, ZR2VM
9 Pamela Koen, XYL of Jack ZR1JAC
9 Ewan Mathieson, ZS1EM
10 Anne Dowler, XYL of Norman ZS2XF

... on your anniversaries

September

22 Anne ZR2ABC
and Vic Olivier



ZS2SZ
26 Ellen and Chris du Plessis
ZS2BST
28 Marjorie and Dudley Forsyth
ZS2AW

October

3 Susanna and Mike Bosch ZS2FM
3 Maria and Anthony Marran ZR2AI
4 Carin and Mark Hugo ZR2M



Congrats go to Vanessa and Glen Cummings, ZR2GV on their acquisition of a daughter on 23 August.

In and out of hospital: Ken Victor ZS2OC was in hospital early in August for an operation to his hand.

Lionel ZS2DD went in for a hip replacement and ZS2NP from EL has been in the PE Provincial for a heart bypass.

Visitor to PE: Peter Flynn ZS2PF, now of Cape Town, was here for a holiday from 6 August but has returned home. 📍

Your Society's Committee

Chairman	Al Akers ZS2U	360-2983	makers@firestone.co.za
Vice Chair, Awards	Rory Norton ZS2BL	585-9330	rory@commco.co.za
Secretary	Chris Scarr ZS2AAW	368-1344	cvscarr@intekom.co.za
Treasurer; Assets Control	Clive Fife ZS2RT	367-3203	cfife@absamail.co.za
Repeaters, packet,	Chris Scarr ZS2AAW	368-1344	cvscarr@intekom.co.za
Refreshments	Bill Hodges ZS2ABZ	581-2580	whodges@absamail.co.za
Contests	Al ZS2U, Barry ZS2EZ, [+ Mike Bosch ZS2FM (581-2425)]		
Other Committee Members	Ewalt Bouwer ZS2EHB (933-3482); Terence van der Linden ZR2VDL (042 233-1859); Glen Cummings ZS2GV (082 411 2743)		
Social, Special Events	Committee		
QSX printing and info	Ashley Goosen ZR2AG	468-0887	ashleygoosen@xsinet.co.za
QSX Editor (ex com).....	Garth Laaks ZS2HB	368-1101	glaaks@iafrica.com
QSX distribution (ex com).....	Trevor Scarr ZS2AE	367-1746	t&j.scarr@intekom.co.za
Technical Classes (ex com).....	Paul Galpin ZR6ACV	372-1779	galpinp@absamail.co.za
Internet Website (ex com)	Barry Murrell ZS2EZ	581-3561	zs2ez@axxess.co.za

PEARS' VHF/UHF & Other Services

REPEATERS

Town VHF.....	# 145,050/650	Knysna	* 145,075/675
Town UHF.....	# 431,050/438,650	Lady's Slipper	* 145,100/700
Cockscomb	145,000/600	Noupoort	* 431,150/438,750
Colesberg	* 431,075/438,675	Uitenhage	# 145,075/675
Cradock	* 145,050/650		
Grahamstown.....	* 145,150/750		

* These form the PEARS long-range 2-metre repeater system, also linked to which are East London 145,775 MHz, George 145,700, Danabaai 145,600, Stilbaai 145,750, Butterworth 145,725, King Williams Town 145,625 and Umtata (438,725 duplex). It is further extendable to Cape Town via the WCRWG system.

These can also be linked as required.

OTHER SERVICES

Packet Bulletin Board (ZSØNTP)	144,625
Packet Rose Switch ZSØGHT-3,046101 (144,675 in/out) or 046102 (UHF out to BBS)	144,675
2m Beacon (ZS2VHF CW ID, FSK) (horizontally polarized, 20W ERP,).....	144,415
6m Beacon (ZS2SIX CW ID) (horizontally polarized, 25W ERP).....	50,005
6m Simplex Link with Lady's Slipper 2m Repeater (vertically polarized).....	51,400

Sunday Bulletins

PEARS bulletins are transmitted on Sundays immediately after the SARL English transmission, i.e. at about 08:45, on 7098 kHz as well as the 2 metre linked network that provides coverage from Butterworth to George and up to the Free State and their environs. PEARS' 7098 or 3640 kHz transceive facilities are also remotely linked as needed. In addition, the SARL's 40m operations on 7082 or 7066 kHz or Hamnet's 7070 kHz can be remotely patched to the 2m network, in receive-only mode or with full transceive capability for interactive events.

Date	Prepare and Read on 2m Repeater Link	DIARY DATES
11 Sept	ZS2BL	<u>SEPTEMBER</u>
18	ZS2RT	15 PEARS GENERAL MEETING
25	ZS2ABZ	17/18 SARL VHF/UHF CONTEST. (If you're on a high site, try to get its Summit on the Air number and use it in your contacts.
2 Oct	ZS2EHB	
9	ZR2VDL	<u>OCTOBER</u>
16	ZR2GV	6 Wrinkly Rave

* We like being your Society *